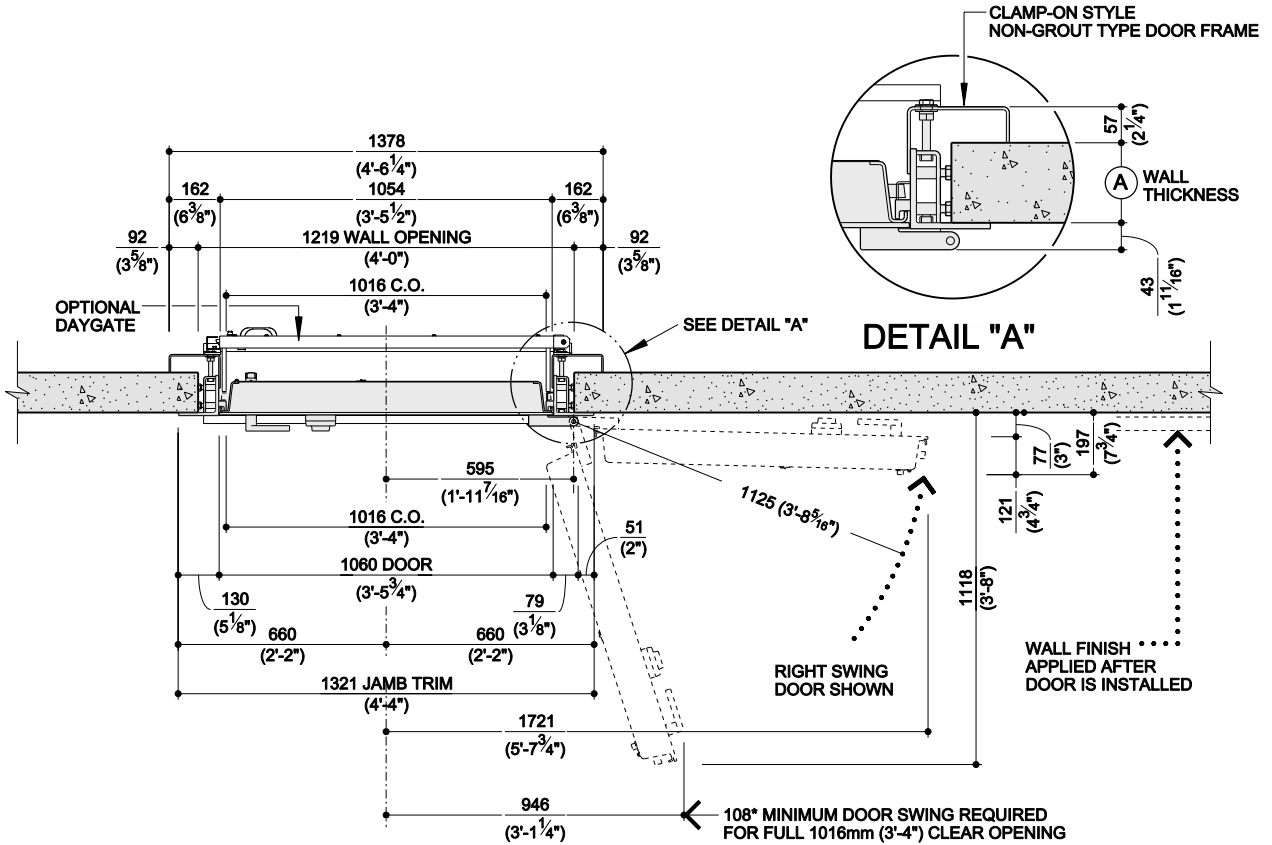


**GSA CLASS 5  
HIGH SECURITY VAULT DOOR AND ARMORY DOOR**

DIMENSIONS IN MILLIMETRES  
(DIMENSIONS IN FEET-INCHES)

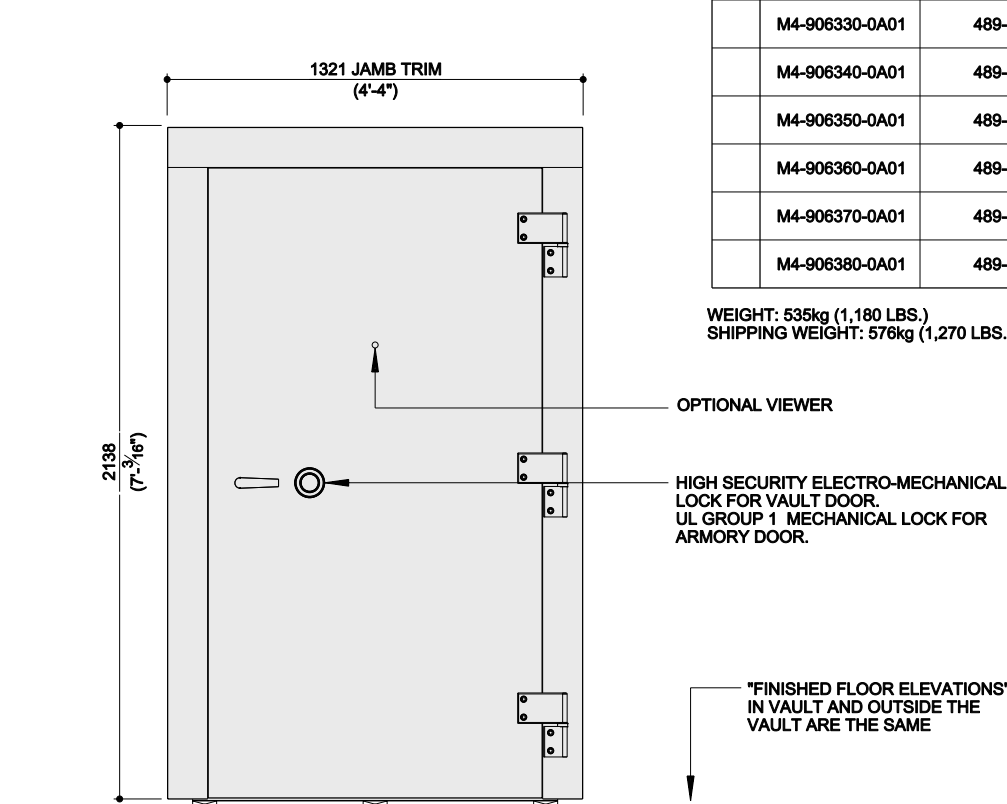


**PLAN VIEW**

**SINGLE VAULT DOOR WALL FLANGES FOR SINGLE LEAF DOORS**

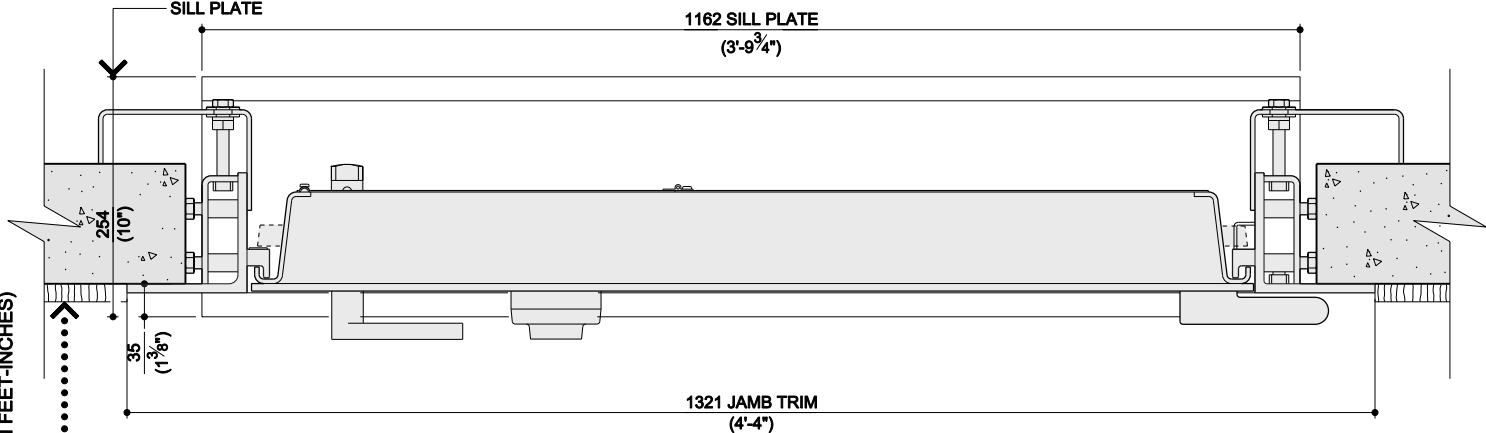
| PART NUMBER    | NATIONAL STOCK NUMBER | (A) WALL THICKNESS             | COLOR |
|----------------|-----------------------|--------------------------------|-------|
| M4-906320-0A01 | 489-154               | 127mm (5") TO 178mm (7")       | GRAY  |
| M4-906330-0A01 | 489-154               | 178mm (7") TO 216mm (8 1/2")   | GRAY  |
| M4-906340-0A01 | 489-154               | 216mm (8 1/2") TO 254mm (10")  | GRAY  |
| M4-906350-0A01 | 489-154               | 254mm (10") TO 292mm (11 1/2") | GRAY  |
| M4-906360-0A01 | 489-154               | 292mm (11 1/2") TO 330mm (13") | GRAY  |
| M4-906370-0A01 | 489-154               | 330mm (13") TO 368mm (14 1/2") | GRAY  |
| M4-906380-0A01 | 489-154               | 368mm (14 1/2") TO 406mm (16") | GRAY  |

WEIGHT: 535kg (1,180 LBS.)  
SHIPPING WEIGHT: 576kg (1,270 LBS.)



**FRONT ELEVATION**

DIMENSIONS IN MILLIMETRES  
(DIMENSIONS IN FEET-INCHES)



**SETTING DETAIL**

**CLASS 5 SECURITY VAULT DOORS**

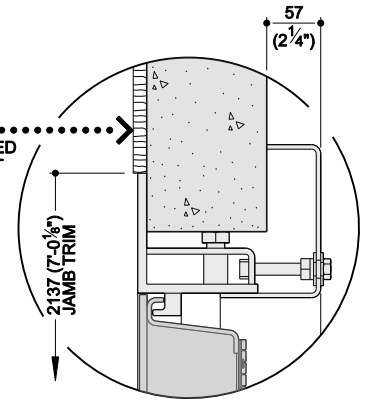
| PART NUMBER    | NATIONAL STOCK NUMBER | VIEWER | DOOR SWING | COLOR |
|----------------|-----------------------|--------|------------|-------|
| M4-168520-0A01 | 7110-00-935-1886      |        | RIGHT HAND | GRAY  |
| M4-168530-0A01 | 7110-00-935-1883      |        | LEFT HAND  | GRAY  |
| M4-168540-0A01 | 7110-00-935-1885      | ●      | RIGHT HAND | GRAY  |
| M4-168550-0A01 | 7110-00-935-1882      | ●      | LEFT HAND  | GRAY  |

**CLASS 5 ARMORY VAULT DOORS**

| PART NUMBER    | NATIONAL STOCK NUMBER | VIEWER | DOOR SWING | COLOR |
|----------------|-----------------------|--------|------------|-------|
| M4-068600-0A01 | 7110-01-475-9595      |        | RIGHT HAND | GRAY  |
| M4-068610-0A01 | 7110-01-475-9598      |        | LEFT HAND  | GRAY  |
| M4-068620-0A01 | 7110-01-475-9596      | ●      | RIGHT HAND | GRAY  |
| M4-068630-0A01 | 7110-01-475-9593      | ●      | LEFT HAND  | GRAY  |

**DAYGATE FOR SINGLE LEAF DOORS (OPTIONAL)**

| PART NUMBER    | NATIONAL STOCK NUMBER | COLOR |
|----------------|-----------------------|-------|
| M4-055210-0A03 | 489-154               | GRAY  |



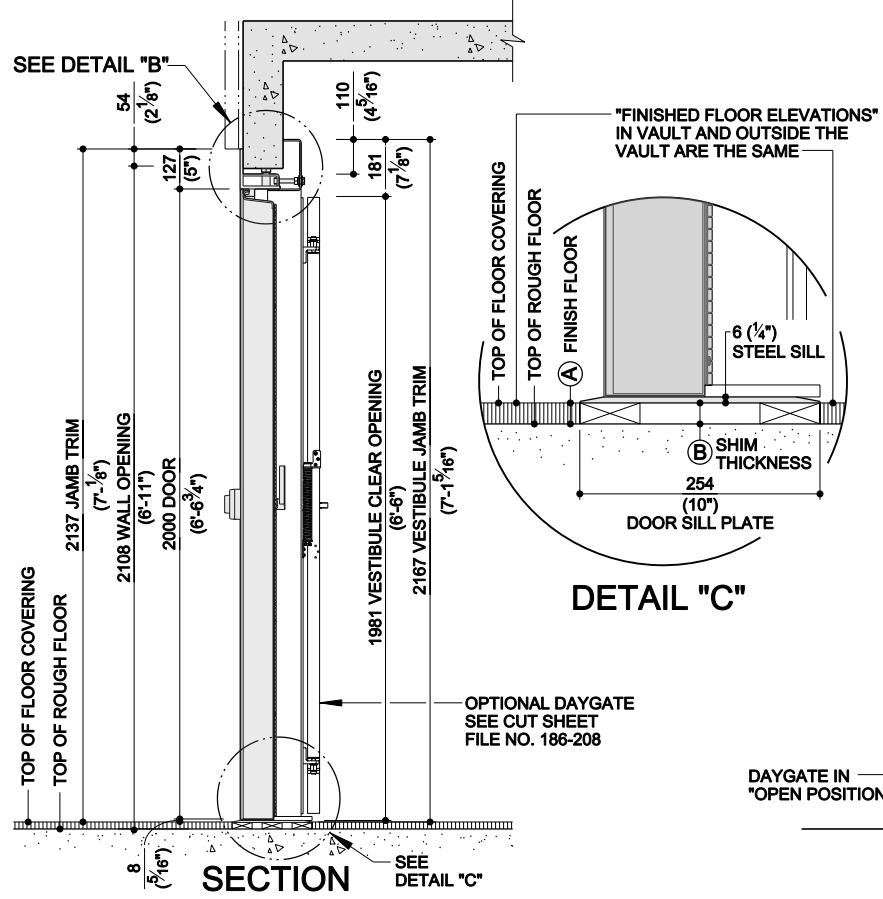
**DETAIL "B"**

|                                 | 13        | 16        | 19        | 22        | 25      |
|---------------------------------|-----------|-----------|-----------|-----------|---------|
| <b>A</b> FINISH FLOOR THICKNESS | 13 (1/2") | 16 (5/8") | 19 (3/4") | 22 (5/8") | 25 (1") |
| <b>B</b> SHIM THICKNESS         | 13 (1/2") | 16 (5/8") | 19 (3/4") | 22 (5/8") | 25 (1") |

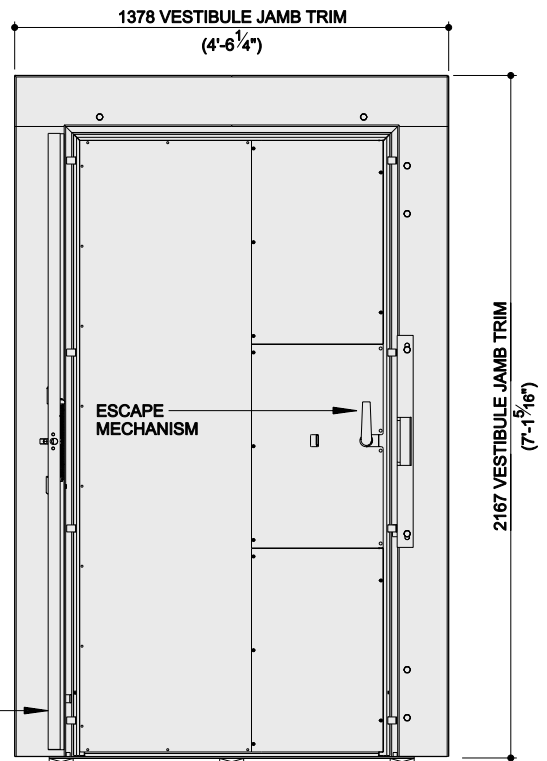
PAGE 2 OF 3

"ALL DIMENSIONS AND DESIGN CRITERIA SUBJECT TO CHANGE WITHOUT NOTICE"

FILE NO. 186-181 REV. 3



**DETAIL "C"**



**INTERIOR ELEVATION**

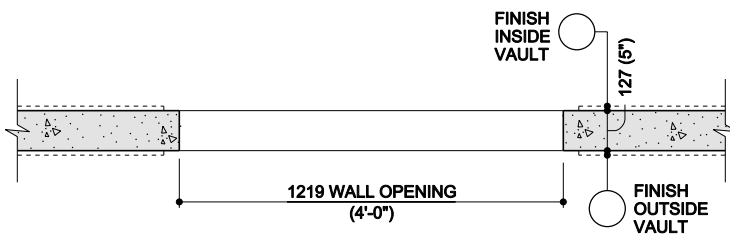
Tel: +49 561/ 988 499- 0

**MASONRY OPENING**

DIMENSIONS IN MILLIMETRES  
(DIMENSIONS IN FEET-INCHES)



**NOTES:**  
1. FINISHED FLOOR LEVELS INSIDE AND OUTSIDE VAULT  
MUST BE THE SAME.

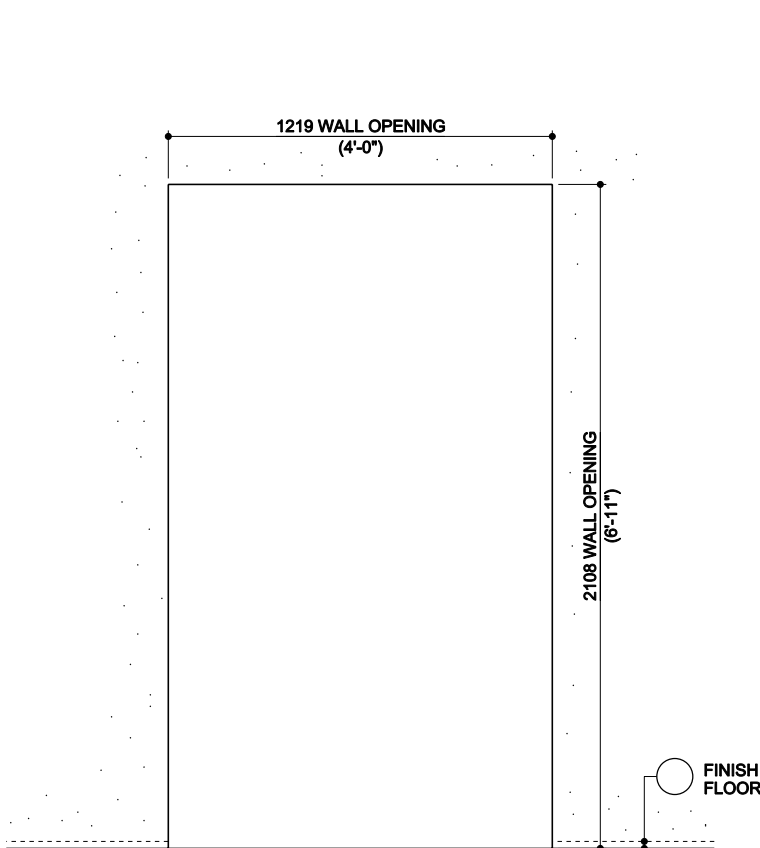


**PLAN VIEW**

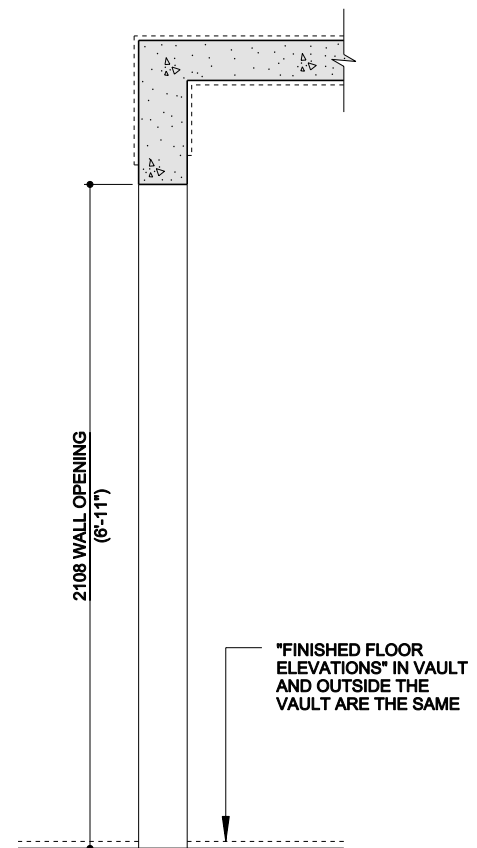
PAGE 3 OF 3

\*ALL DIMENSIONS AND DESIGN CRITERIA  
SUBJECT TO CHANGE WITHOUT NOTICE\*

FILE NO. 186-181 REV. 3



**ELEVATION VIEW**



**SECTION VIEW**