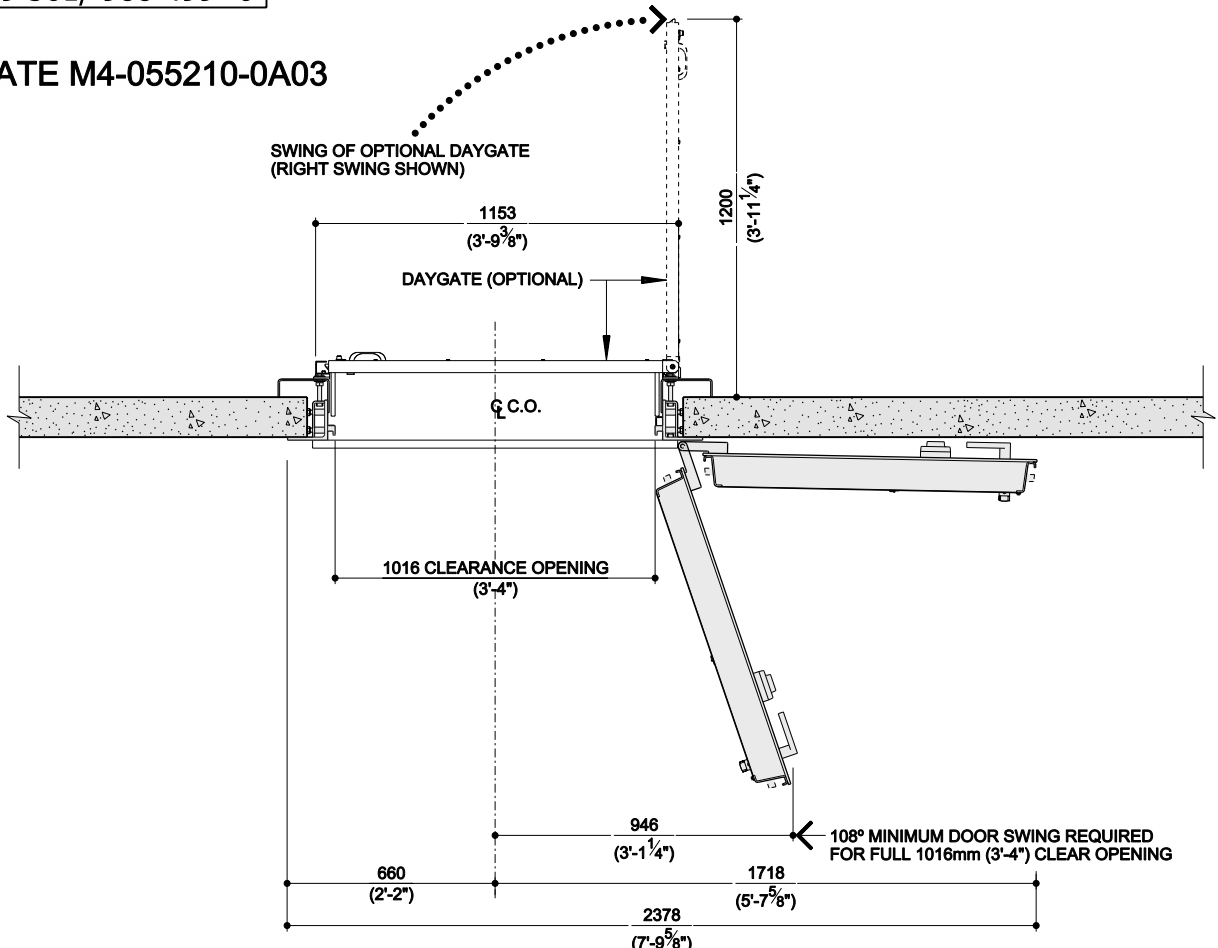
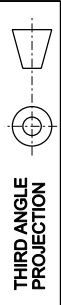


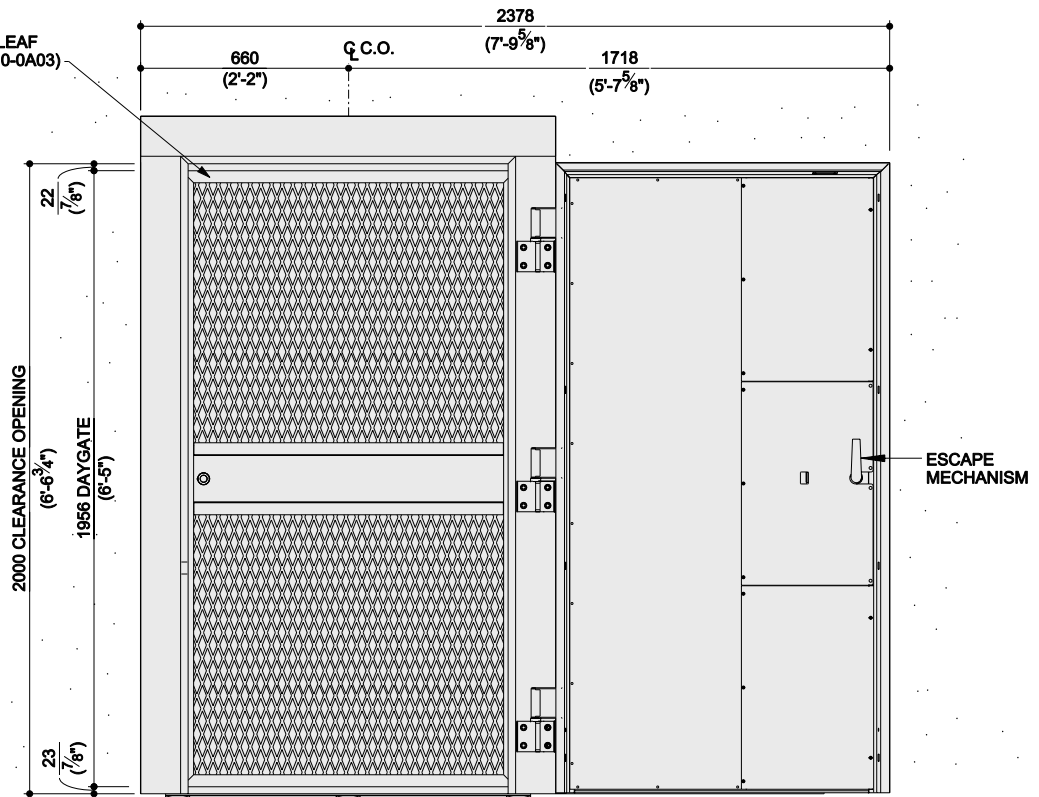
DAYGATE M4-055210-0A03

DIMENSIONS IN MILLIMETRES
(DIMENSIONS IN FEET-INCHES)



PLAN VIEW

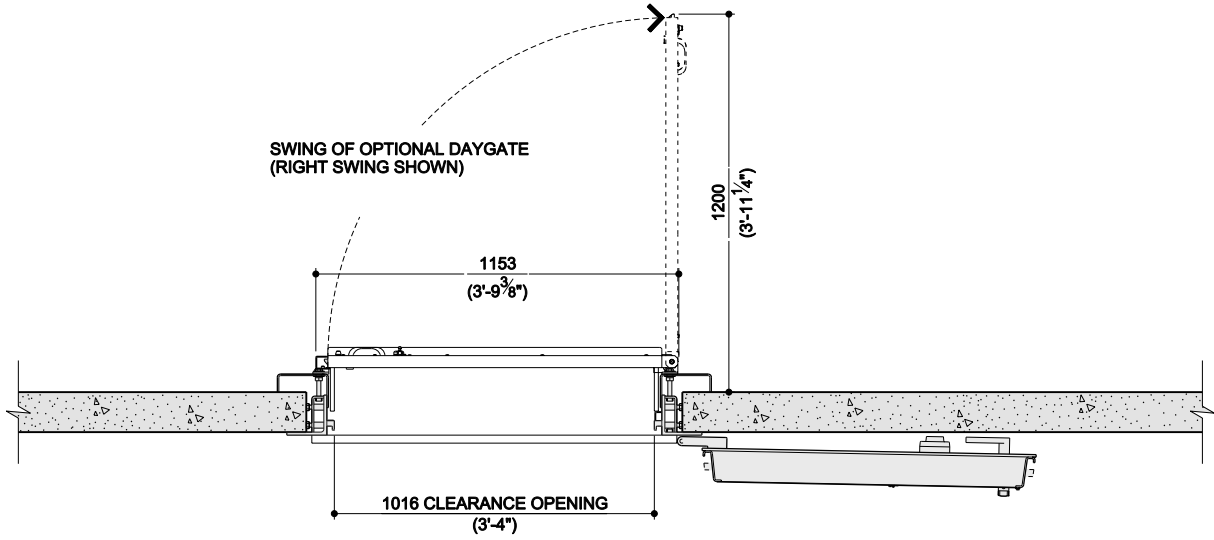
DAYGATE FOR SINGLE LEAF
VAULT DOOR (M4-055210-0A03)



ELEVATION VIEW

**DUTCH DOOR DAYGATE
 19-055500-000A RIGHT SWING - 19-056619-000A LEFT SWING
 FOR GSA CLASS 5 SINGLE LEAF DOORS**

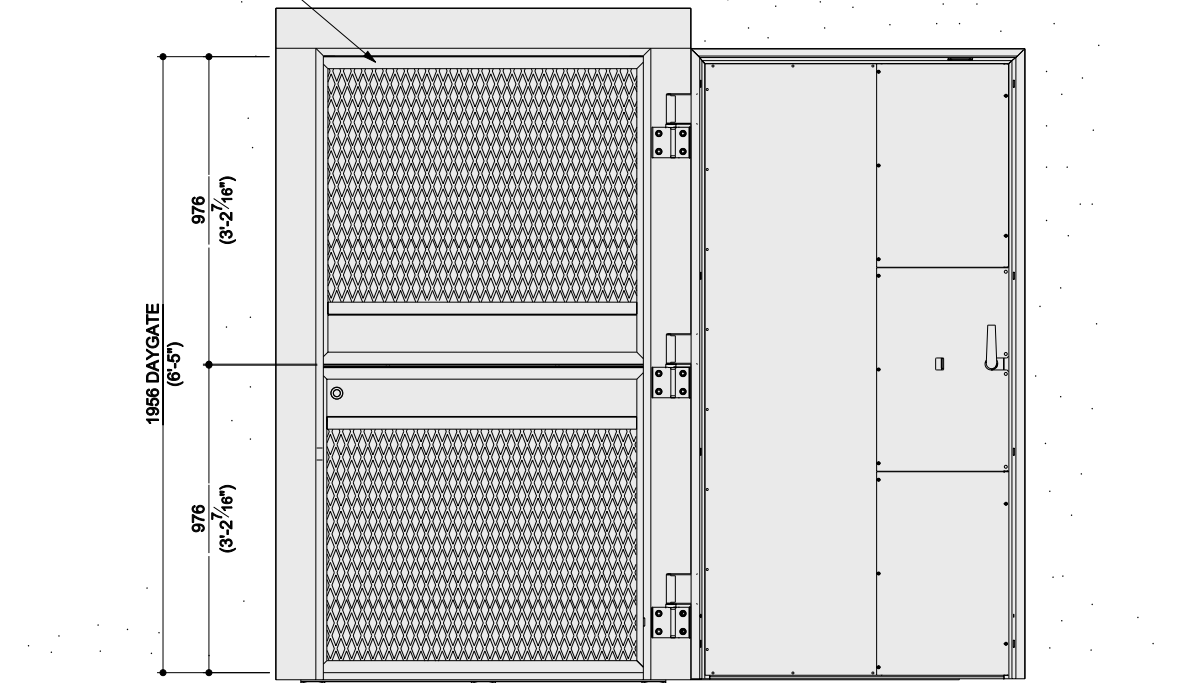
DIMENSIONS IN MILLIMETRES
 (DIMENSIONS IN FEET-INCHES)



PLAN VIEW

*ALL DIMENSIONS AND DESIGN CRITERIA
 SUBJECT TO CHANGE WITHOUT NOTICE*

DUTCH DOOR DAYGATE
 (19-055500-000A LEFT SWING,
 19-056619-000A RIGHT SWING)
 FOR GSA SINGLE LEAF DOOR

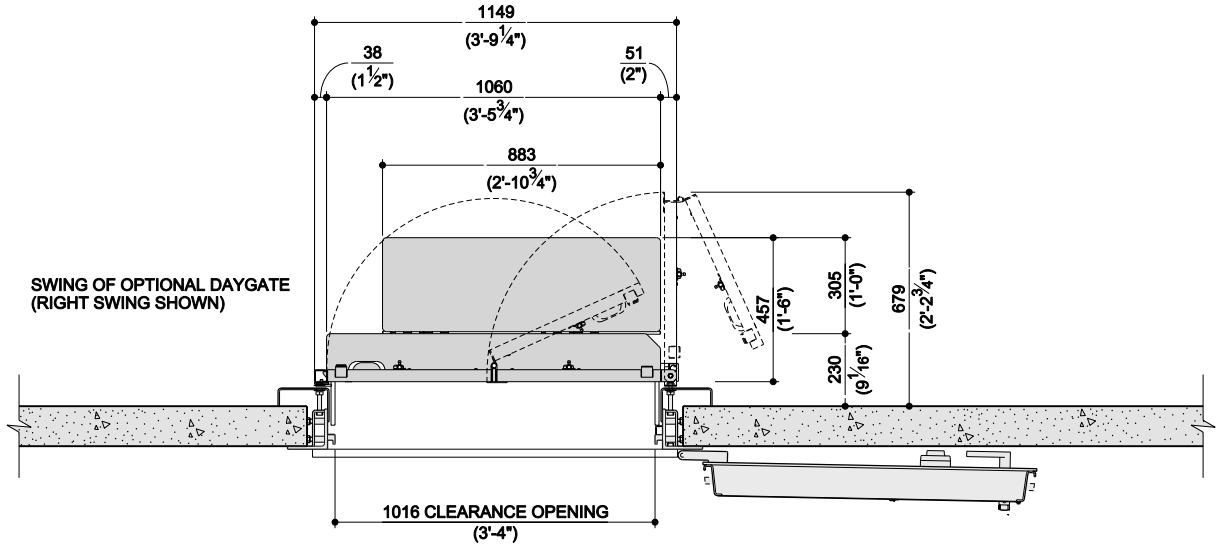


ELEVATION VIEW

Tel: +49 561/ 988 499- 0

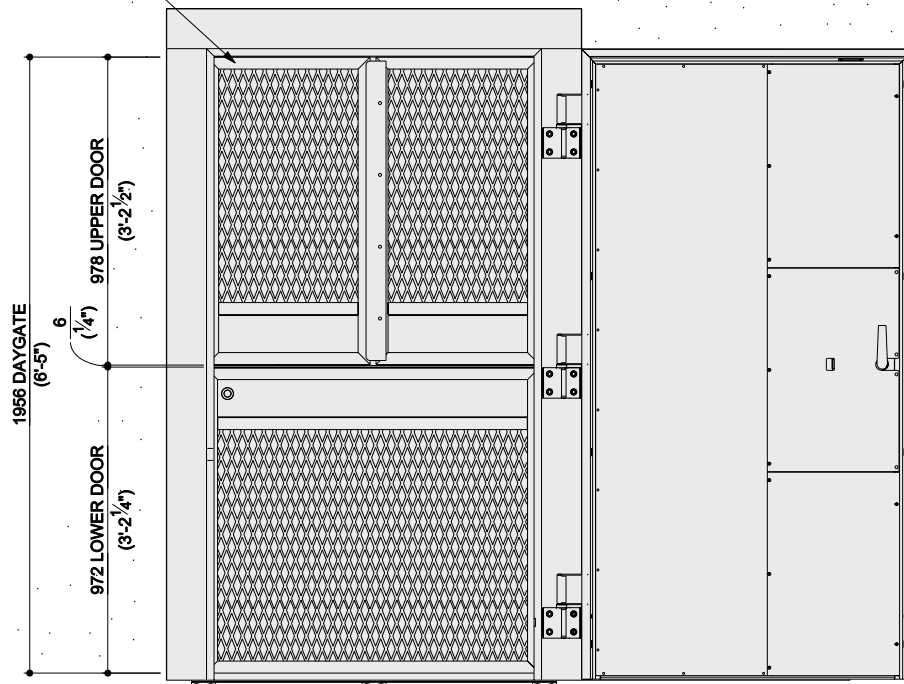
**DAYGATE WITH BI-FOLD UPPER DOOR
41-019278-000A**

DIMENSIONS IN MILLIMETRES
(DIMENSIONS IN FEET-INCHES)



PLAN VIEW

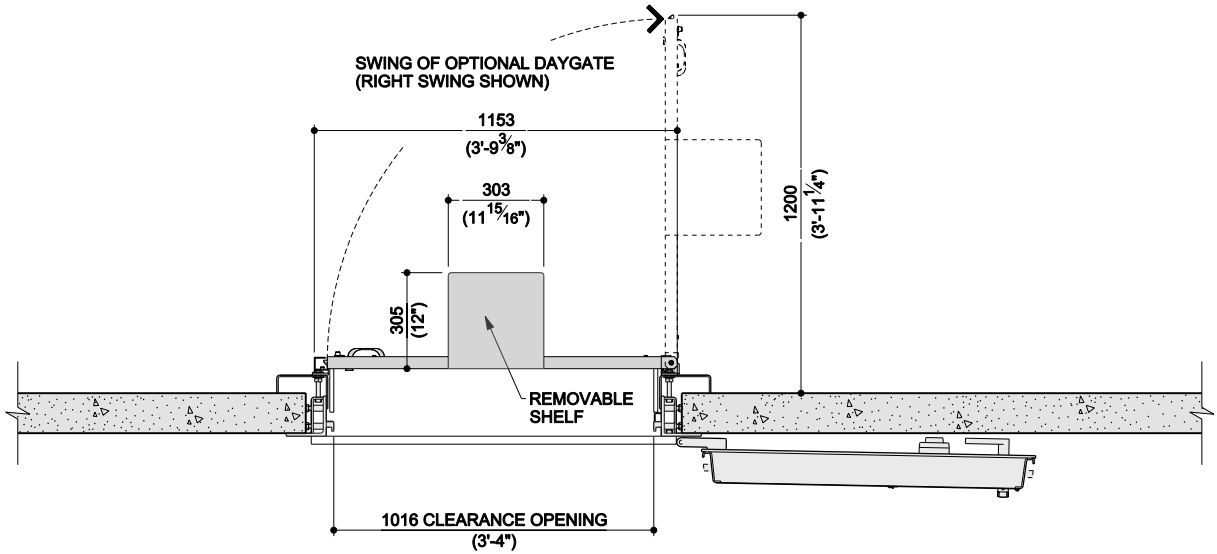
DAYGATE WITH BI-FOLD
UPPER DOOR (41-019278-000A)
GSA SPECIAL FOR (RAV)
RELOCATABLE ARMS VAULTS,
DAYGATE SWING MUST
ALWAYS MATCH DOOR SWING.



ELEVATION VIEW

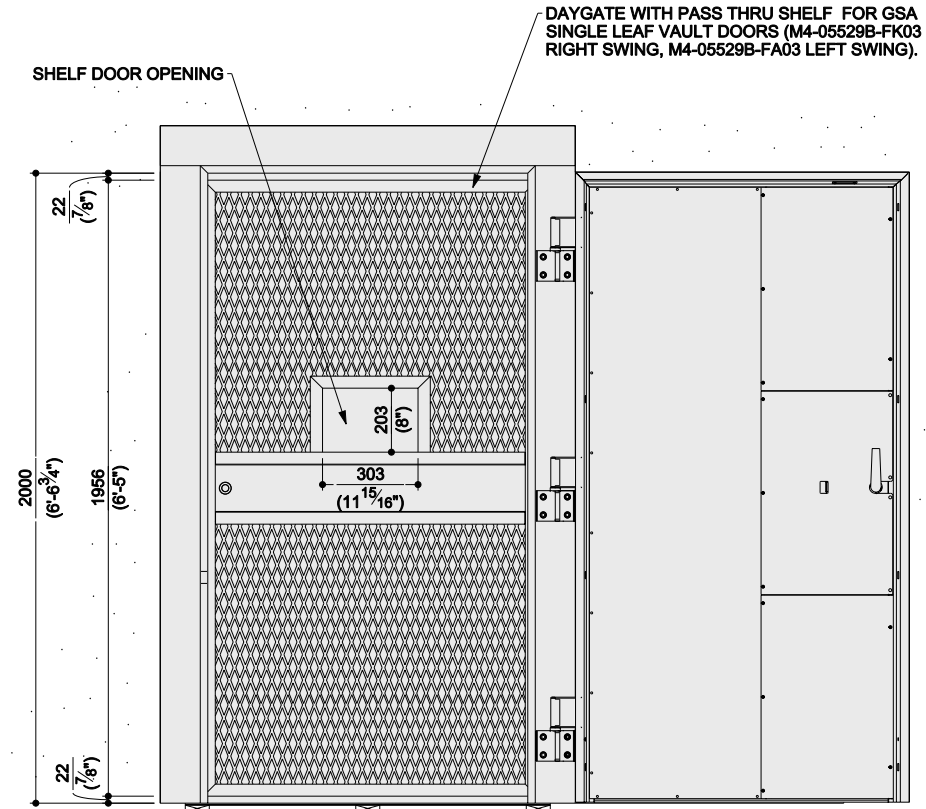
DAYGATE WITH PASS THRU SHELF AND DOOR
M4-05529B-FK03 RIGHT SWING - M4-05529B-FA03 LEFT SWING
FOR GSA CLASS 5 SINGLE LEAF DOORS

DIMENSIONS IN MILLIMETRES
(DIMENSIONS IN FEET-INCHES)



PLAN VIEW

*ALL DIMENSIONS AND DESIGN CRITERIA
SUBJECT TO CHANGE WITHOUT NOTICE



ELEVATION VIEW